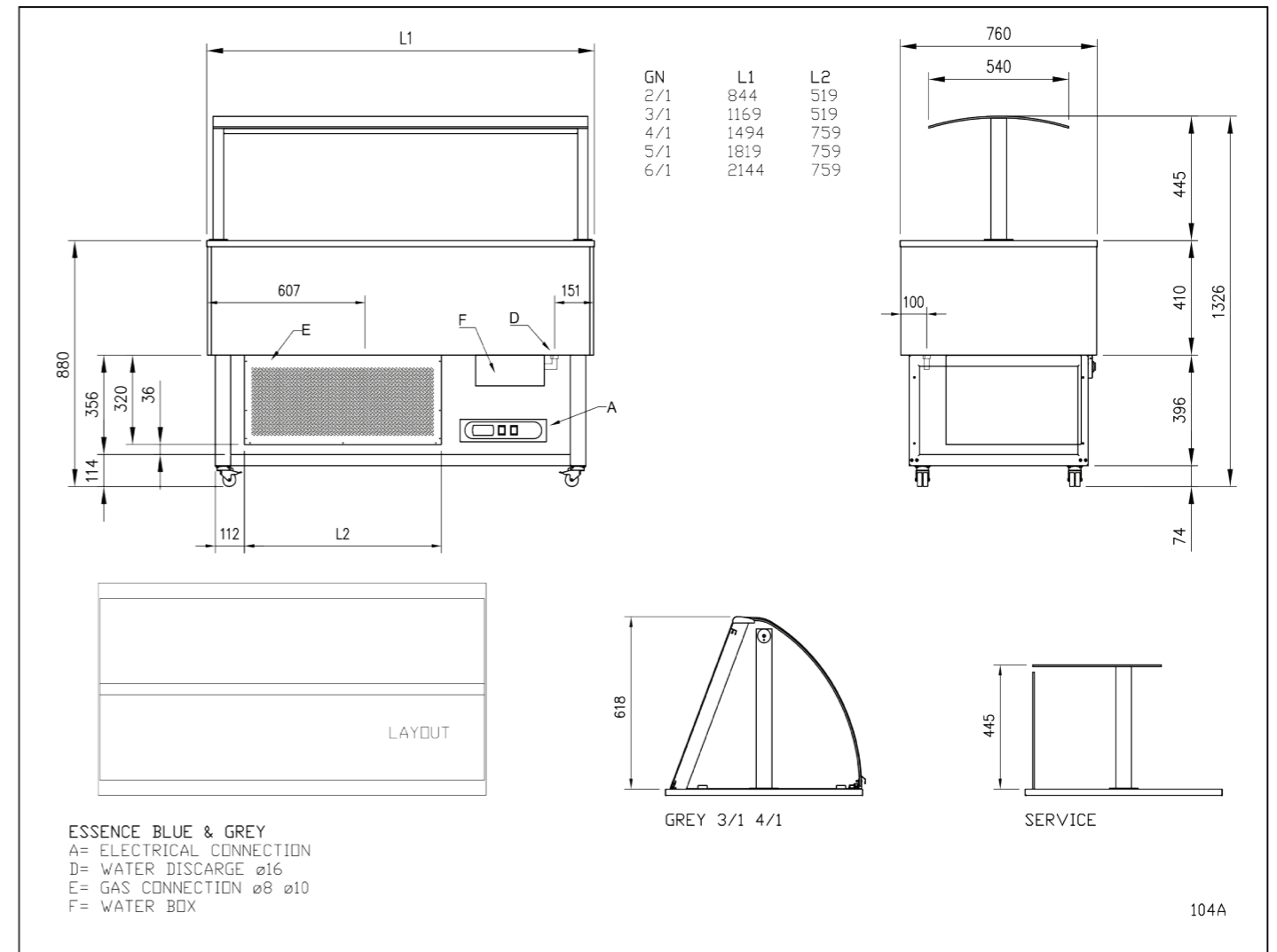


BUFFET WITH COLD BLOWN-AIR WELL  
ESSENCE BLUE 3



BUFFET WITH COLD BLOWN-AIR WELL  
ESSENCE BLUE 3



## ESSENCE BLUE 3

A buffet with cold blown-air well unit for the quality presentation of food. With a sturdy chrome plated frame on wheels and timber cladding with energy efficient LED lighting, it is suitable for the display of food for hotels, government services, catering companies, mining kitchens and buffet restaurants.

<b>MODEL NO:</b>	3/1
<b>DIMENSIONS STRUCTURE FREE:</b>	1233mm x 1012mm x 1100mm
<b>DIMENSIONS WITH STRUCTURE:</b>	1233mm x 860mm x 1595mm
<b>DEEP INNER TUB:</b>	159mm
<b>STORAGE CAPACITY:</b>	3 GN1/1
<b>TEMPERATURE:</b>	+4/ +8°C
<b>CLIMATE CLASS INDEX:</b>	3
<b>REFRIGERATION POWER W(-10°C/+45°C):</b>	2058
<b>REFRIGERANT FLUID R404A(g):</b>	900
<b>ABSORBED POWER:</b>	972
<b>MAX ABSORBED CURRENT:</b>	9.60
<b>VOLTAGE AND NET FREQUENCY:</b>	230v/50Hz



8 Guthrie Street, Osborne Park  
Western Australia, 6017  
Perth Australia

T: +61 08 9242 7521  
F: +61 08 9242 7168

sales@ableproducts.com.au  
[ableproducts.com.au](http://ableproducts.com.au)