



SCHEDA TECNICA	DATENBLATT	* = PAG. 202	ESSENCE & TRADITION RED	
DATASHEET	DONNÉES TECHNIQUE	⇒ = RIF. UCR		

MODELLO	MODELL		3/1	4/1	6/1
MODEL	MODÈLE		+60/+90 °C	+60/+90 °C	+60/+90 °C
VOLUME INTERNO	INTERNER RAUM	MC			
INTERNAL VOLUME	VOLUME INTERNE				
DIMENSIONI INTERNE UTILI	NUTZLICHE INTERNE ABMESSUNGEN	MM	3 x GN1/1 H200	4 x GN1/1 H200	6 x GN1/1 H200
USEFUL INTERNAL DIMENSIONS	DIMENSION INTERNE UTILIES	LxPxH			
COMPRESSORE	KOMPRESSOR				
COMPRESSOR	COMPRESSEUR				
POTENZA FRIGORIFERA	KALTELEISTUNG	W			
REFRIGERATION POWER	UISSANCE FRIGORIFIQUE				
POTENZA ASSORBITA	LEISTUNGSaufNAHME	W	1000+500	1000x2	1000x3
ABSORBED POWER	PUISSANCE ASSORBEE		350x2 (#)	350x3 (#)	350x4 (#)
MASSIMA CORRENTE	MAX STROMaufNAHME	A	11.5	15.3	21.5
MAX CURRENT	COURANT MAXIMUM				
TENSIONE E FREQUENZA	NETZSPANNUNG UND FREQUENZ	V / Hz	230 / 50	230 / 50	230 / 50
VOLTAGE & FREQUENCY	TENSION ET FREQUENCE				
PESO NETTO	REINGEWICHT	KG	48		
NET WEIGHT	POIDS NET				
RUMORE	LAUTSTARKE	DB			
NOISE	BRUIT				
RIPIANI MASSIMI	MAX REGALE	N°			
MAX SHELVES	NIVEAUX MAXIMUM				
GAS REFRIGERANTE	KALTEMITTEL	GR			
REFRIGERANT GAS	GAS FRIGORIGENE				
ELETTRONICA	ELEKTRONISCHES STEUERGEHAUSE		CAREL	CAREL	CAREL
ELECTRONIC CARD	CENTRALE ELECTRONIQUE		EASY	EASY	EASY
CLASSE CLIMATICA	KLIMATISCHE KLASSE	INDEX	3 (25°C)	3 (25°C)	3 (25°C)
CLIMATIC CLASS	CLASSE CLIMATIQUE				
CLASSE ENERGETICA	ENERGIEEFFIZIENZKLASSE	INDEX			
ENERGY CLASS	CLASSE ENERGETIQUE				
CONSUMO ENERGIA 48H	48H STROMVERBRAUCH	KW			
48H ENERGY CONSUMPTION	CONSOMMATION 48H D'ÉNERGIE				
CONSUMO ENERGIA ANNUO	DER JAHRliche ENERGIEVERBRAUCH	KW			
YEAR ENERGY CONSUMPTION	CONSOMMATION ANNUELLE D'ÉNERGIE				
DIMENSIONI IMBALLO	AMBENSUGGEN VERPACKUNG	MM	1233x750x1100 (E)	1558x750x1100 (E)	2208x750x1100 (E)
PACKING DIMENSIONS	DIMENSIONS EMBALLAGE	LxPxH	1233x902x1100 (T)	1558x902x1100 (T)	2208x902x1100 (T)
			1233x750x1595 (#)	1558x750x1595 (#)	2208x750x1595 (#)
RESA ABBATTIMENTO	ERGIEBIGKEIT SCHNELLKUHlung	KG			
CHILLING PERFORMANCE	RENDEMENT REFROIDISSEMENT				
RESA SURGELAZIONE	ERGIEBIGKEIT SCHOckFROSTUNG	KG			
FREEZING PERFORMANCE	RENDEMENT CONGELATION				
VASCHETTE GELATO	EISBECHER	5L			
ICE CREAM PANS	BOL DE GLACE	(165x360xH120)			

Dati tecnici soggetti a modifiche senza preavviso.
All specification subject to change without notice.

Technische Daten und Eigenschaften mit Änderungen ohne Anzeige.

Caractéristiques techniques sujettes à modification sans avis.

(#) = Sovrastruttura in vetro

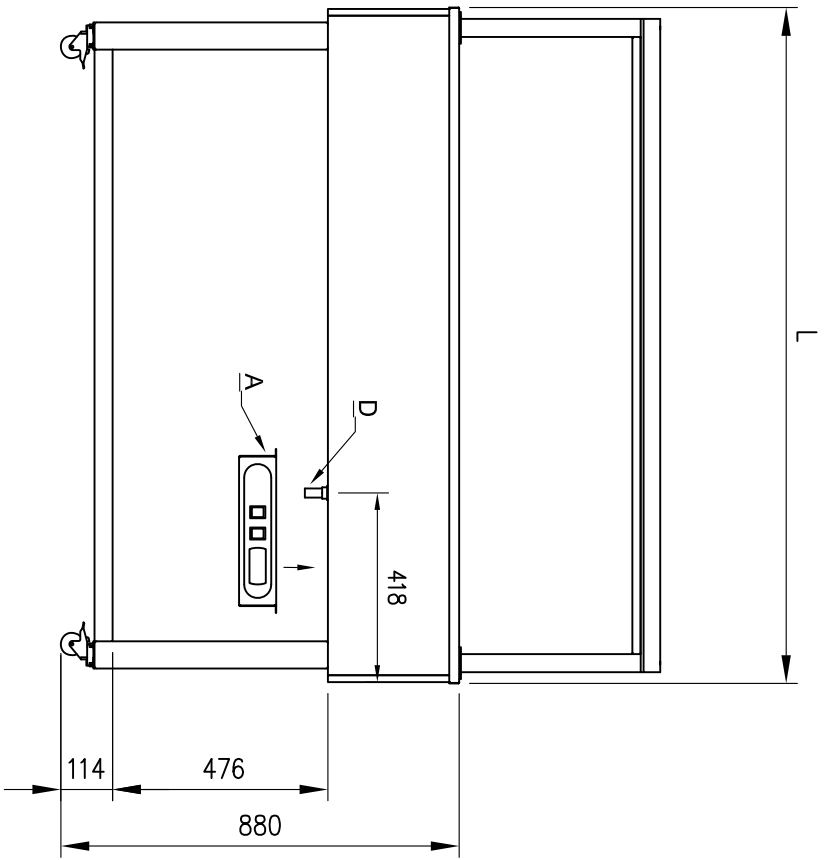
(#) = Glass hoods

(#) = Glasstruktur

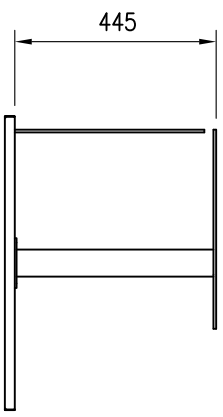
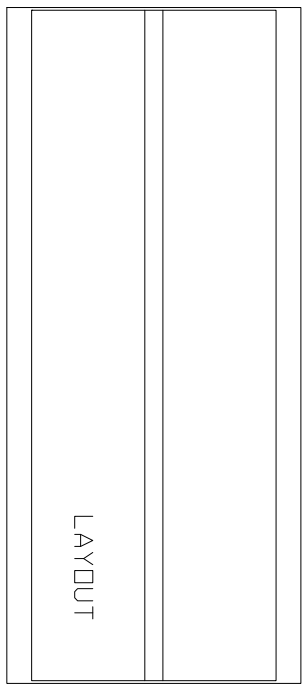
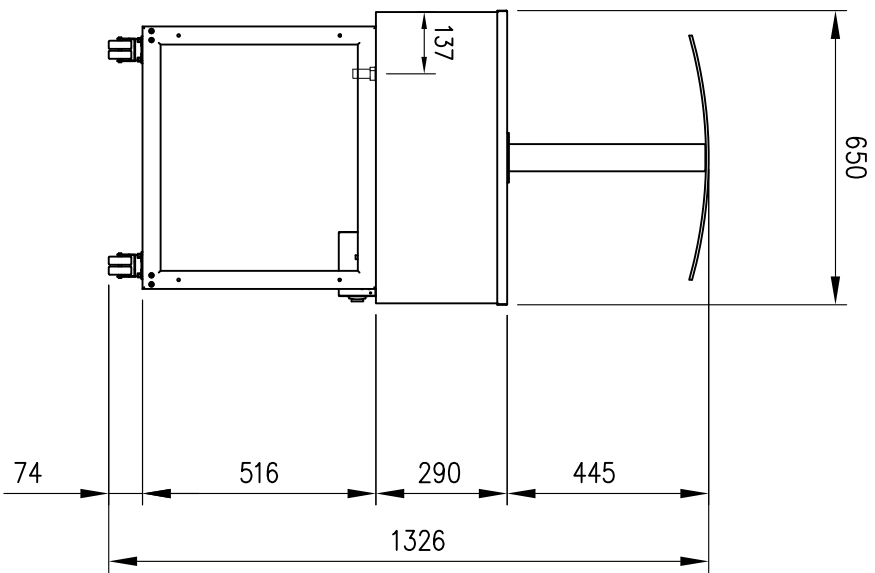
(#) = Structure de verre

(E) = Essence

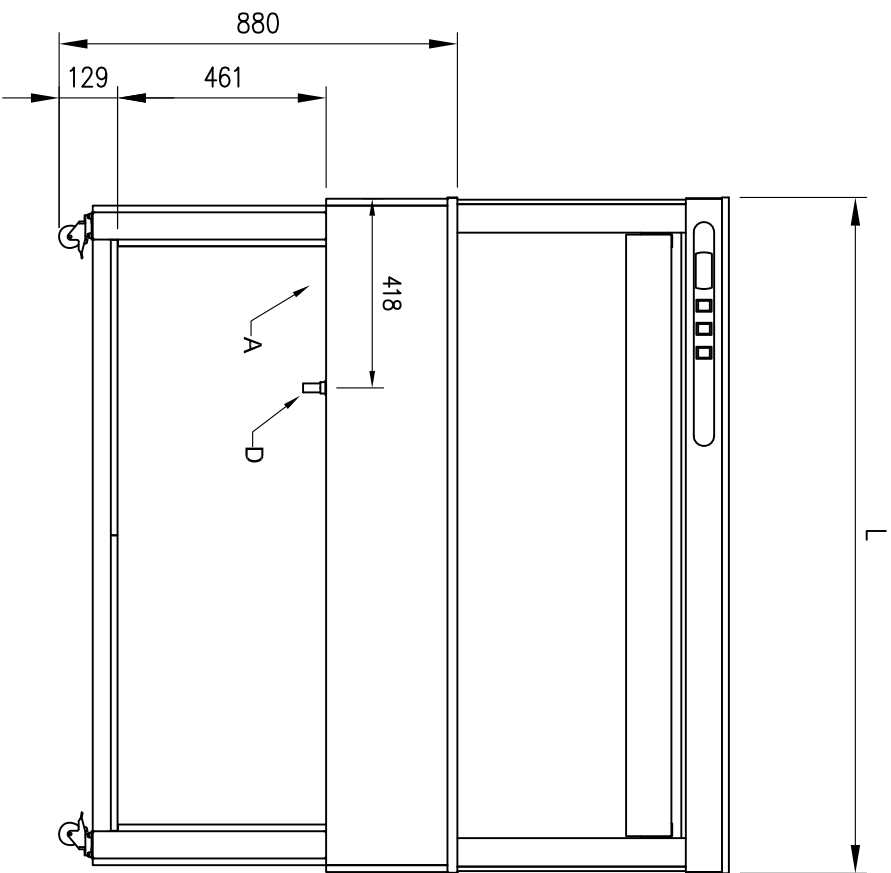
(T) = Tradition



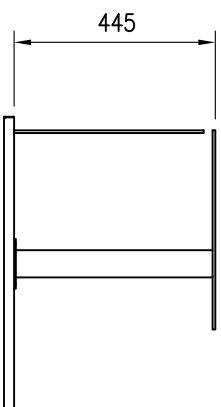
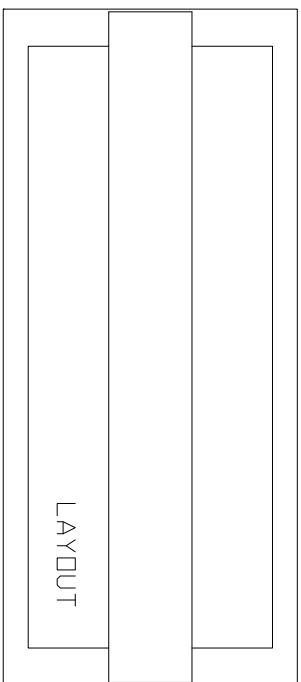
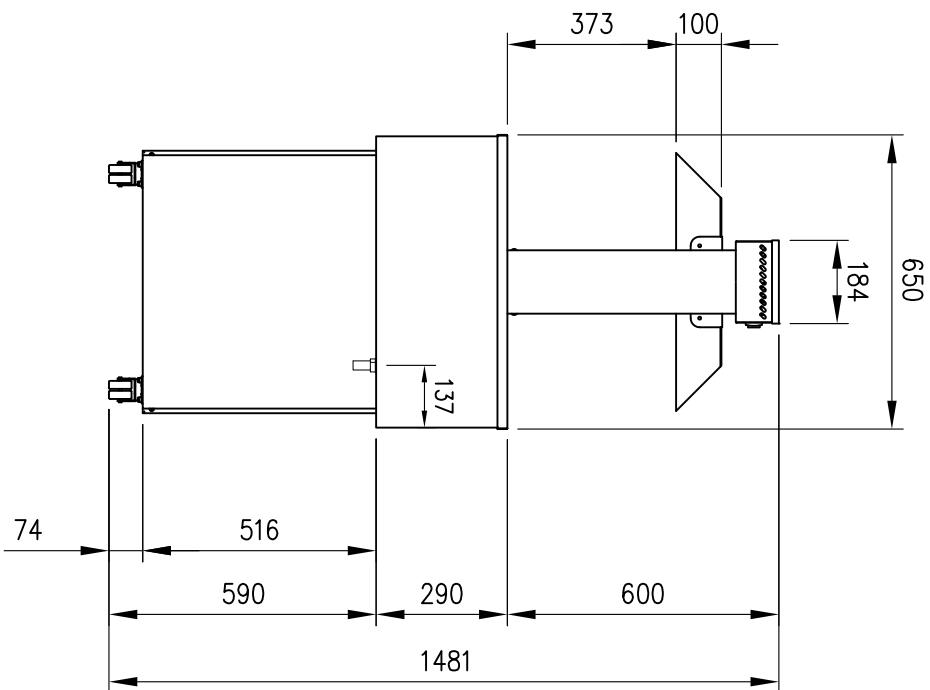
GN	L
3/1	1169
4/1	1494
6/1	2144



ESSENCE RED-ORANGE-BROWN
 A= ELECTRICAL CONNECTION
 D= WATER DISCHARGE ø14



GN	L
3/1	1169
4/1	1494
6/1	2144



TRADITION RED-DRANGE-BROWN
 A= ELECTRICAL CONNECTION
 D= WATER DISCHARGE ø14